

B5116-Series - Butterfly Valves

Features

- Manual operation only
- Can be serviced in field
- Blue trigger handle

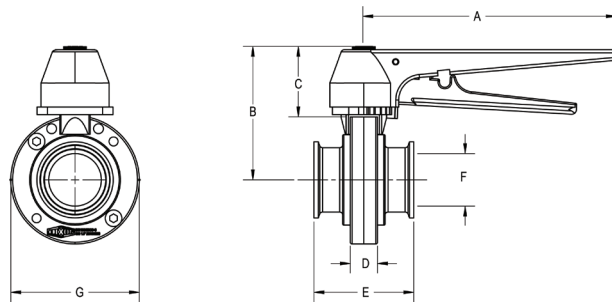
Materials

- Product contact material : 304 stainless steel
- Elastomer: EPDM, silicone

Specifications

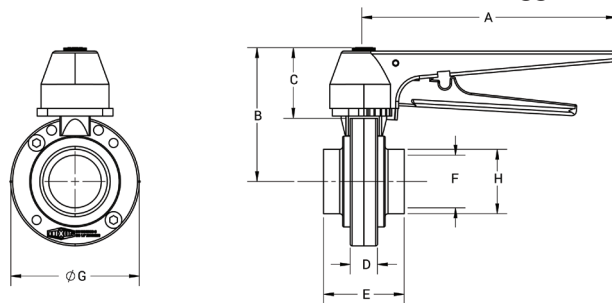
- Operating temperature range: 15°F to 200°F (-9°C to 93°C)
- Maximum operating pressure: 110 PSI
- Internal product contact surface finish ≤ 32 Ra

Clamp End with Trigger Handle



Size	Dimensions							304 Stainless Steel with Silicone	304 Stainless Steel with EPDM
	A (in)	B (in)	C (in)	D (in)	E (in)	F (in)	G (in)	Part #	Part #
1-1/2"	6.60	3.60	1.70	0.71	2.60	1.37	3.35	B5116S150CC-C	B5116E150CC-C
2"	6.60	4.00	1.70	0.71	2.76	1.87	4.13	B5116S200CC-C	B5116E200CC-C
3"	6.60	4.40	1.70	0.71	2.99	2.87	4.92	B5116S300CC-C	B5116E300CC-C
4"	6.60	5.00	1.70	0.71	2.99	3.84	6.18	B5116S400CC-C	B5116E400CC-C

Weld End with Trigger Handle



Size	Dimensions								304 Stainless Steel with Silicone	304 Stainless Steel with EPDM
	A (in)	B (in)	C (in)	D (in)	E (in)	F (in)	G (in)	H (in)	Part #	Part #
1-1/2"	6.60	3.60	1.70	0.71	2.99	1.37	3.35	1.50	B5116S150BB-C	B5116E150BB-C
2"	6.60	4.00	1.70	0.71	3.15	1.87	4.13	2.00	B5116S200BB-C	B5116E200BB-C
3"	6.60	4.40	1.70	0.71	3.23	2.87	4.92	3.00	B5116S300BB-C	B5116E300BB-C
4"	6.60	5.00	1.70	0.71	3.46	3.84	6.18	4.00	B5116S400BB-C	B5116E400BB-C

Replacement Seats

Size	Silicone Part #	EPDM Part #
1-1/2"	B5116-RKS150	B5116-RKE150
2"	B5116-RKS200	B5116-RKE200
3"	B5116-RKS300	B5116-RKE300
4"	B5116-RKS400	B5116-RKE400