

Butterfly Valve Automation

Butterfly Valve with Stainless Steel Vertical Spring Return Actuation

Features:

- silicone and FKM elastomers also available
- other end configurations are available
- contact Dixon™ for more information

Butterfly Valve with EPDM seats and a vertical spring return normally closed pneumatic canister style actuator

Valve Size	Style B5101 Part #	Price/E	Style B5102 Part #	Price/E
½"	B5101E050CC-G	\$949.65	---	---
¾"	B5101E075CC-G	949.65	---	---
1"	B5101E100CC-G	831.25	B5102E100-G	\$656.80
1½"	B5101E150CC-G	824.70	B5102E150-G	659.05
2"	B5101E200CC-G	976.15	B5102E200-G	685.35
2½"	B5101E250CC-G	930.95	B5102E250-G	726.00
3"	B5101E300CC-G	1088.50	B5102E300-G	771.35
4"	B5101E400CC-G	1377.75	B5102E400-G	885.15

Butterfly Valve with EPDM seats and a vertical spring return normally open pneumatic canister style actuator

Valve Size	Style B5101 Part #	Price/E	Style B5102 Part #	Price/E
½"	B5101E050CC-F	\$949.65	---	---
¾"	B5101E075CC-F	949.65	---	---
1"	B5101E100CC-F	812.50	B5102E100-F	\$671.90
1½"	B5101E150CC-F	806.15	B5102E150-F	659.05
2"	B5101E200CC-F	862.30	B5102E200-F	701.15
2½"	B5101E250CC-F	930.95	B5102E250-F	726.00
3"	B5101E300CC-F	1064.00	B5102E300-F	789.15
4"	B5101E400CC-F	1346.75	B5102E400-F	905.55

Butterfly Valve with EPDM seats and a vertical double acting pneumatic canister style actuator

Valve Size	Style B5101 Part #	Price/E	Style B5102 Part #	Price/E
½"	B5101E050CC-H	\$949.65	---	---
¾"	B5101E075CC-H	949.65	---	---
1"	B5101E100CC-H	831.25	B5102E100-H	\$671.90
1½"	B5101E150CC-H	806.15	B5102E150-H	659.05
2"	B5101E200CC-H	862.30	B5102E200-H	701.15
2½"	B5101E250CC-H	930.95	B5102E250-H	726.00
3"	B5101E300CC-H	1088.50	B5102E300-H	771.35
4"	B5101E400CC-H	1346.75	B5102E400-H	885.15

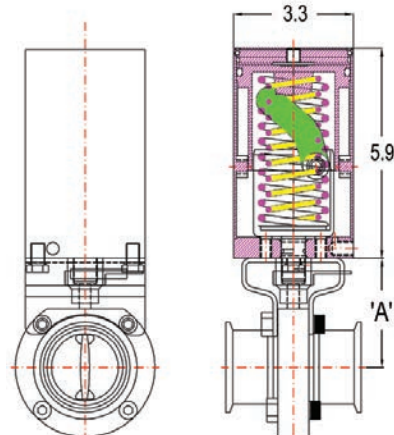


N

Dimensions

Dimension 'A'

Valve Size	Valve Style	
	B5101	B5102
½" - 1"	2.7"	2.5"
1½"	2.7"	2.5"
2"	3.1"	2.9"
2½"	3.5"	3.2"
3"	3.7"	3.4"
4"	4.5"	4.0"



All dimensions are in inches, unless noted. Dimensions are approximate.
Engineering dimensions are available upon request. Specifications are subject to change without notice.