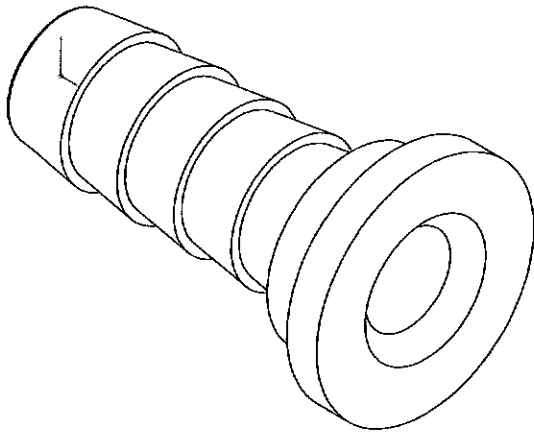
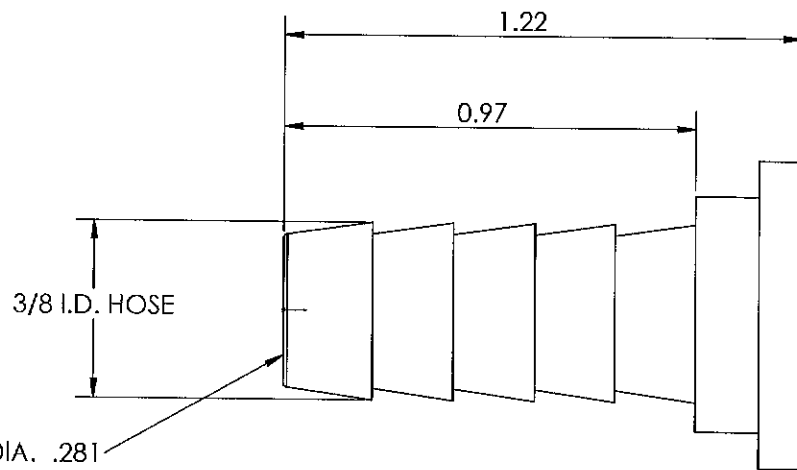

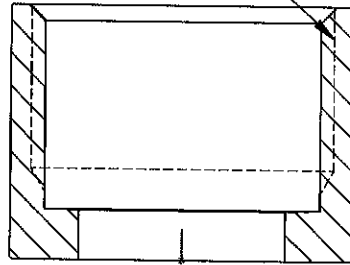
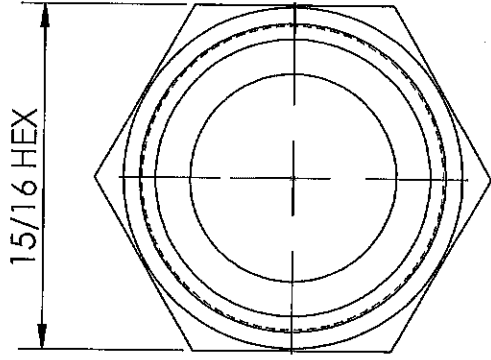
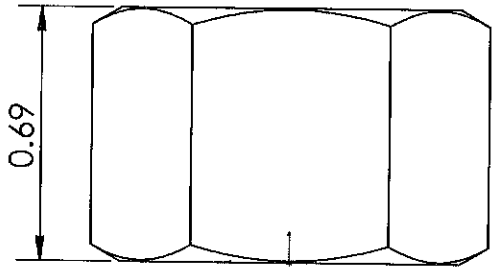


LINE DRAWING NOT FOR PRODUCTION PURPOSES



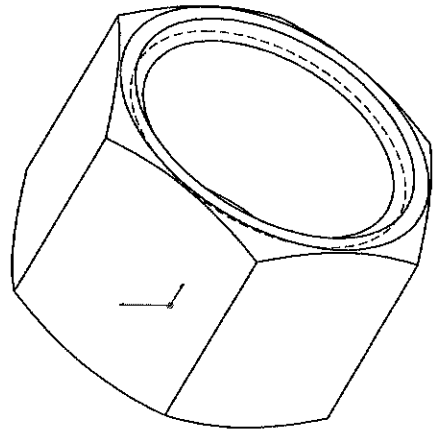
<small>THIS DRAWING CONTAINS INFORMATION DEEMED PROPRIETARY TO DIXON BRASS AND IS SO TO BE USED ONLY FOR THE PURPOSE FOR WHICH IT IS SUBMITTED, AND FURTHER, SHALL NOT BE COPIED IN WHOLE OR IN PART WITHOUT EXPRESS WRITTEN PERMISSION FIRST OBTAINED FROM DIXON BRASS. UNLESS OTHERWISE SPECIFIED:</small>			
 <small>The Right Connection™</small>	Dixon Brass Westmont, Illinois USA	DRAWN P. MONAGHAN	DATE 2/28/14
		APPROVED	DATE
TITLE: 3/8 SWIVEL STEM GASKET SEAT TYPE		ECO NO.	
SIZE A		DRAWING NOT REPRODUCED TO SCALE	
DWG. NO. 1260608S		REV D	

LINE DRAWING NOT FOR PRODUCTION PURPOSES



(THRU HOLE DIA.) $\phi 0.56$

1/2 - 14 NPSM
THREAD



THIS DRAWING CONTAINS INFORMATION DEEMED PROPRIETARY TO DIXON BRASS AND IS TO BE USED ONLY FOR THE PURPOSE FOR WHICH IT IS SUBMITTED, AND FURTHER, SHALL NOT BE COPIED IN WHOLE OR IN PART WITHOUT EXPRESS WRITTEN PERMISSION FIRST OBTAINED FROM DIXON BRASS. UNLESS OTHERWISE SPECIFIED:		DRAWN P. MONAGHAN DATE 2/27/14
DIMENSIONS ARE IN INCHES TOLERANCES: ANGLES: $\pm 0^{\circ}30'$.X (± 0.15) .XX (± 0.10) .XXX (± 0.05) DIMENSIONS PER ANSI Y14.5		APPROVED ECO NO.
Dixon Brass Westmont, Illinois USA		DATE 2/27/14
TITLE: FEMALE SWIVEL NUT 1/2 - 14 NPSM		DRAWING NOT REPRODUCED TO SCALE SIZE DWG. NO. A 1240608N REV D