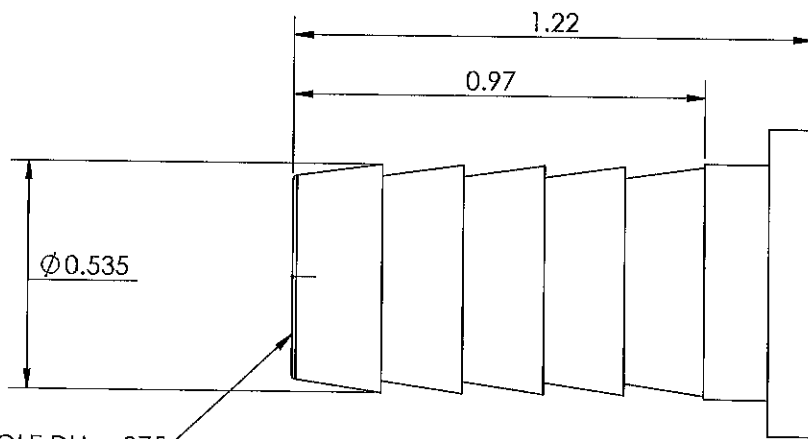
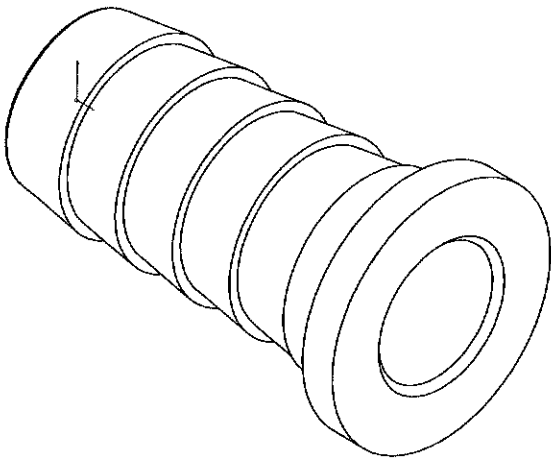



LINE DRAWING NOT FOR PRODUCTION PURPOSES

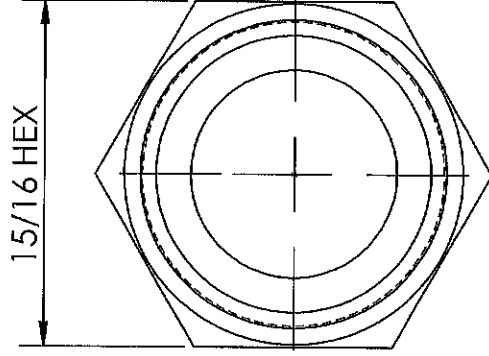
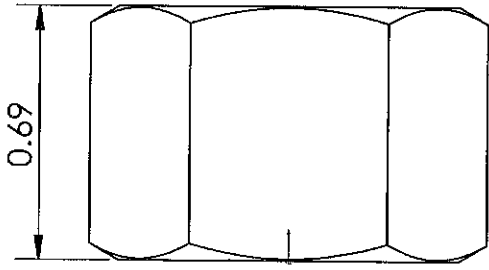


THRU HOLE DIA. .375

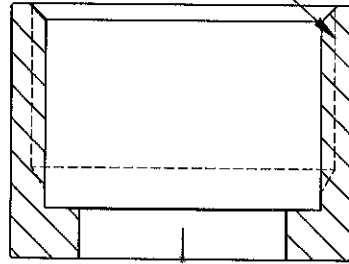


THIS DRAWING CONTAINS INFORMATION DEEMED PROPRIETARY TO DIXON BRASS AND IS SO TO BE USED ONLY FOR THE PURPOSE FOR WHICH IT IS SUBMITTED, AND FURTHER, SHALL NOT BE COPIED IN WHOLE OR IN PART WITHOUT EXPRESS WRITTEN PERMISSION FIRST OBTAINED FROM DIXON BRASS.			
UNLESS OTHERWISE SPECIFIED:			
DIMENSIONS ARE IN INCHES		DRAWN	
TOLERANCES:		DATE	
ANGLES: ±0°30'		P. MONAGHAN 2/28/14	
.X (±.015)		APPROVED	
.XX (±.010)		DATE	
.XXX (±.005)		ECO NO.	
DIMENSIONS PER ANSI Y14.5		DRAWING NOT REPRODUCED TO SCALE	
 <b>Dixon Brass</b> Westmont, Illinois USA		SIZE	REV
TITLE: 1/2 SWIVEL STEM GASKET SEAT TYPE		A	D
		DWG. NO.	
		1260808S	

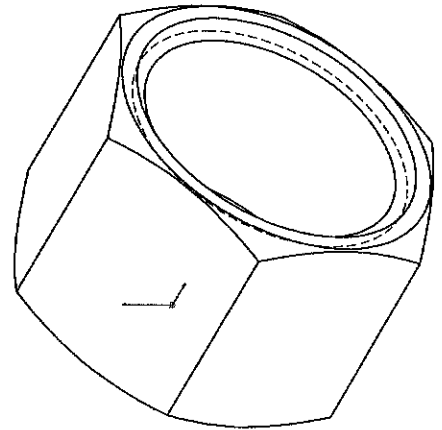
LINE DRAWING NOT FOR PRODUCTION PURPOSES



(THRU HOLE DIA.)  $\phi 0.56$



1/2 - 14 NPSM  
THREAD



THIS DRAWING CONTAINS INFORMATION DEEMED PROPRIETARY TO DIXON BRASS AND IS SO TO BE USED ONLY FOR THE PURPOSE FOR WHICH IT IS SUBMITTED, AND FURTHER, SHALL NOT BE COPIED IN WHOLE OR IN PART WITHOUT EXPRESS WRITTEN PERMISSION FIRST OBTAINED FROM DIXON BRASS. UNLESS OTHERWISE SPECIFIED:		DRAWN P. MONAGHAN		DATE 2/27/14
DIMENSIONS ARE IN INCHES TOLERANCES: ANGLES: 30' -0.005 XX (-0.010) XXX (-0.005)		Dixon Brass Westmont, Illinois USA		APPROVED ECO NO.
DIMENSIONS PER ANSI Y14.5		TITLE: FEMALE SWIVEL NUT 1/2 - 14 NPSM		DRAWING NOT REPRODUCED TO SCALE SIZE DWG. NO. A 1240608N
				REV D