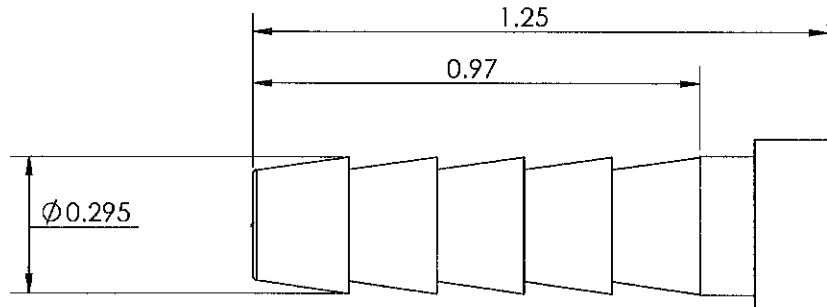
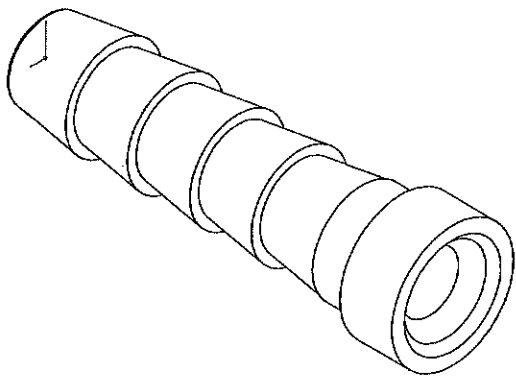
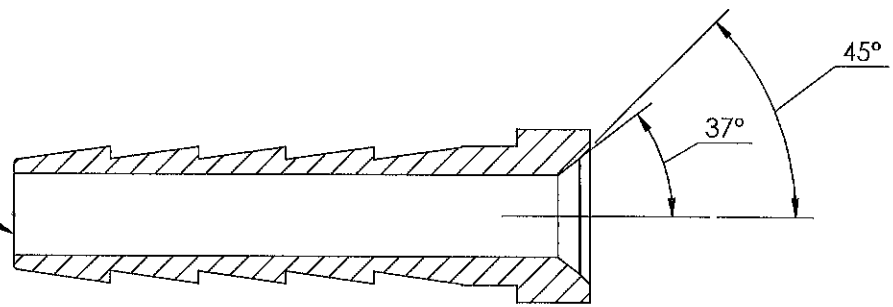



LINE DRAWING NOT FOR PRODUCTION PURPOSES

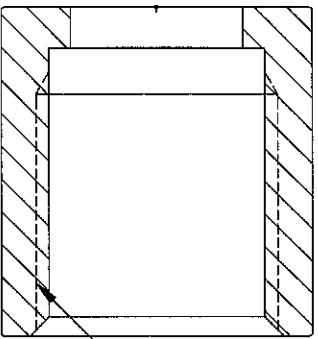
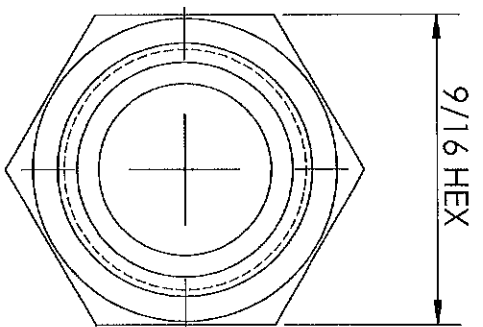
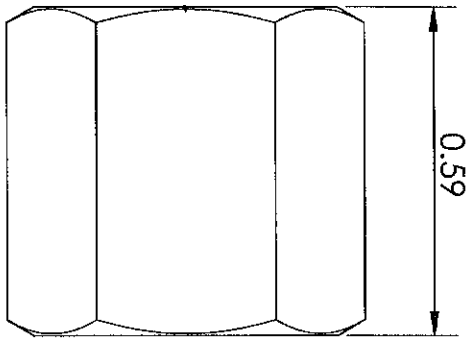


THRU HOLE DIA. .177

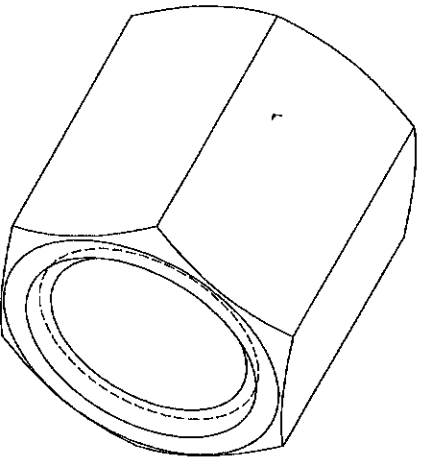


THIS DRAWING CONTAINS INFORMATION DEEMED PROPRIETARY TO DIXON BRASS AND IS TO BE USED ONLY FOR THE PURPOSE FOR WHICH IT IS SUBMITTED, AND FURTHER, SHALL NOT BE COPIED IN WHOLE OR IN PART WITHOUT EXPRESS WRITTEN PERMISSION FIRST OBTAINED FROM DIXON BRASS.				
UNLESS OTHERWISE SPECIFIED:				
DIMENSIONS ARE IN INCHES		 Dixon Brass Westmont, Illinois USA <i>The Right Connector</i>	DRAWN P. MONAGHAN APPROVED	DATE 3/10/13 DATE
TOLERANCES: ANGLES: $\pm 0^{\circ}30'$.X (.016) .XX (.010) .XXX (.005)			ECO NO.	DRAWING NOT REPRODUCED TO SCALE
DIMENSIONS PER ANSI Y14.5		TITLE: FEMALE SWIVEL STEM DUAL ANGLE SEAT	SIZE A	DWG. NO. 1430407S
			REV G	

LINE DRAWING NOT FOR PRODUCTION PURPOSES



7/16 - 20 UNF
THREAD



THIS DRAWING CONTAINS INFORMATION DEEMED PROPRIETARY TO DIXON BRASS AND IS SO TO BE USED ONLY FOR THE PURPOSE FOR WHICH IT IS SUBMITTED, AND FURTHER, SHALL NOT BE COPIED IN WHOLE OR IN PART WITHOUT EXPRESS WRITTEN PERMISSION FIRST OBTAINED FROM DIXON BRASS.

UNLESS OTHERWISE SPECIFIED:

DIMENSIONS ARE IN INCHES

TOLERANCES:

ANGLES: $\pm 0^{\circ}30'$

X (± 0.15)

XX (± 0.10)

XXX (± 0.05)

DIMENSIONS PER ANSI Y14.5



Dixon Brass
Westmont, Illinois USA

TITLE:

SAE FEMALE SWIVEL NUT

DATE	5/20/14
APPROVED	P. MONAGHAN
DATE	
ECO NO.	

DRAWING NOT REPRODUCED TO SCALE

SIZE	A	REV	E
DWG. NO.	1440307N		