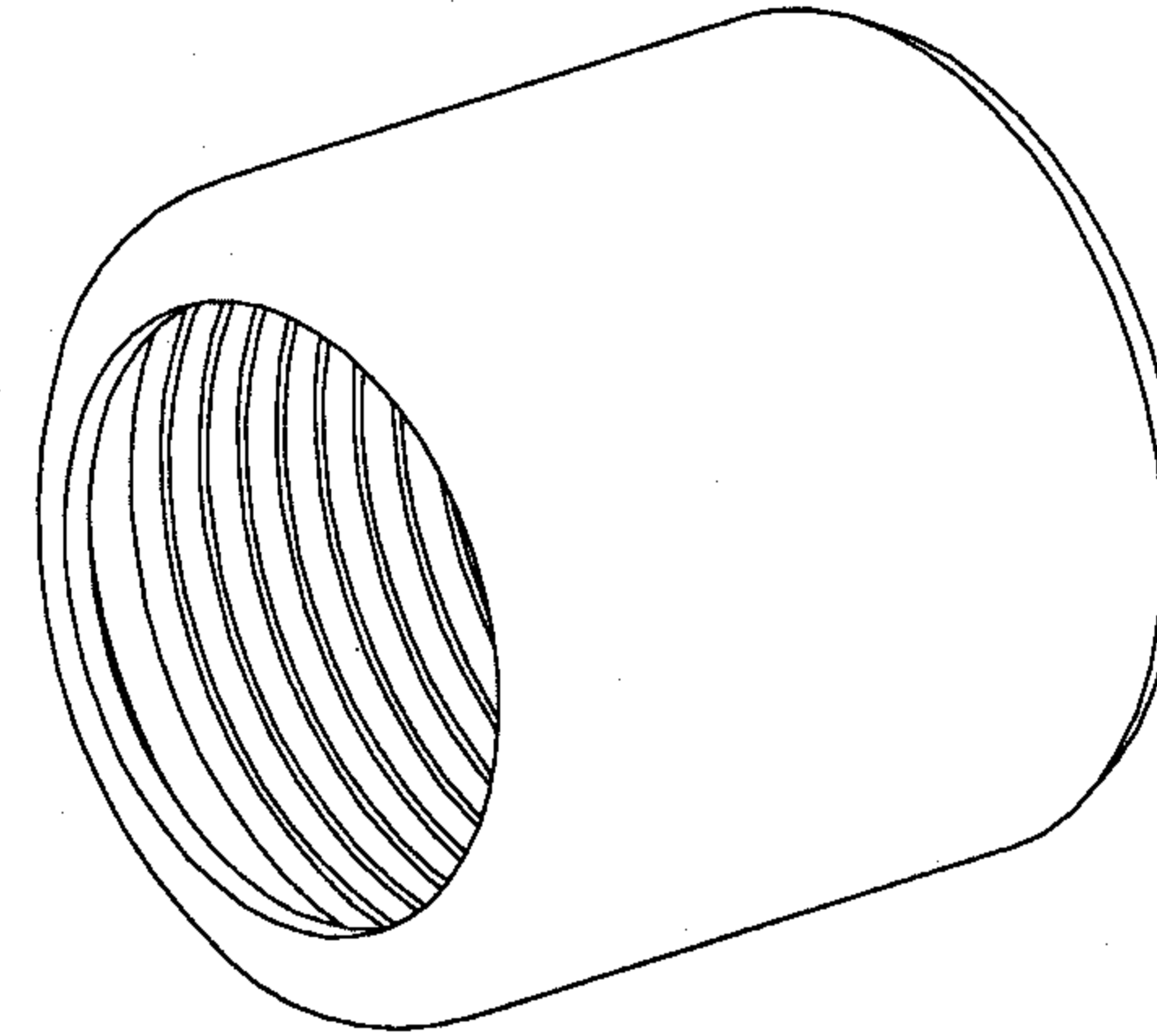
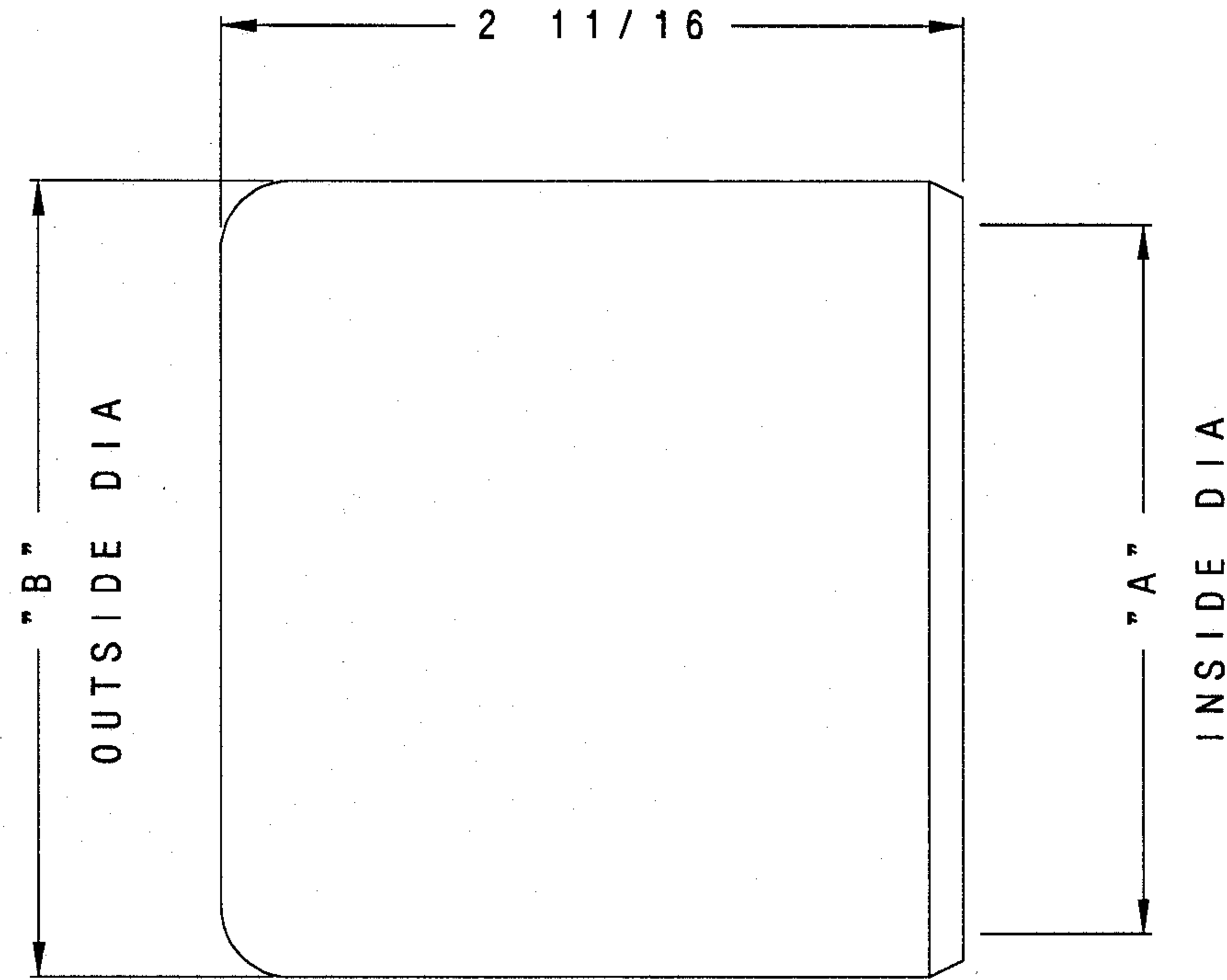


32PF x X.XXX

8-6-08

CUSTOMER DWG



32PF x 2.937	2.937	3.187
32PF x 2.875	2.875	3.125
32PF x 2.812	2.812	3.062
32PF x 2.750	2.750	3.000
32PF x 2.687	2.687	2.937
32PF x 2.625	2.625	2.875
32PF x 2.562	2.562	2.812
32PF x 2.500	2.500	2.750
PART No.	"A"	"B"

DIXON VALVE & COUPLING CO.
U. S. A.

TITLE

2" FLOW CHIEF FOOD GRADE FERRULE

DRAWN BY:

Diane

1-17-96

CHECKED BY:

JTB 1/18/96

APPROVAL:

Anita
1-18-96

MAT'L

304 SEAMLESS
STAINLESS STEEL TUBE

32PF x X.XXX

AGREEMENT TO MAINTAIN CONFIDENTIALITY

This drawing is owned by Dixon Valve & Coupling Co. and shall be returned upon demand. It is loaned on condition that it shall not be copied or reproduced or submitted to others without the owners consent. In accepting it subject to this condition the recipient further agrees that this drawing or any design detail or concept disclosed herein shall not be used in any way detrimental to or in competition with the Owner. If the recipient does not agree to the terms of this agreement, they shall return this drawing immediately.



The Right Connection™

CUSTOMER DWG