

Table of Contents

Cam & Groove..... 1
Crimp Combination Nipples, Sleeves, Ferrules2-3
Swivel Joints6-7
GSM Armored Hose 8
Fire Jacket 8
King Safety Whipsocks & Cables 9
Dix-Lock® / N-Series Fittings 10
Dual-Lock / P-Series Fittings 10
Hydraulic Quick Disconnects 11
Slide Gate Couplings..... 11
Steam Quick Disconnects 11
Pneumatic Quick Disconnects 12
Flanges 12
Hydrant Adapters 13
Boss® Fittings.....13-14
Band Clamps 14
Gauges..... 14
Pneumatically Actuated Wafer Butterfly Valves 15
FRLs 16
Ball Valves 17
Additional Products 17

Stages of the Steel Process



 Safety 

Dixon®’s couplings and retention devices are designed to work safely for their intended use. The selection of the proper hose, coupling and retention device, and the proper application of the coupling to the hose are of utmost importance.

Users must consider the size, temperature, application, media, pressure, and hose and coupling manufacturer’s recommendations when selecting the proper hose assembly components. Dixon recommends that all hose assemblies be tested in accordance with the Association for Rubber Products Manufacturer’s (ARPM) recommendations and be inspected regularly (before each use) to ensure that they are not damaged or have become loose. Visit ARPMINC.com for more information.

Where safety devices are integral to the coupling, they must be working and utilized. The use of supplementary safety devices such as safety clips or safety cables are recommended.

If any problem is detected, couplings must be removed from service immediately.

Dixon is available to consult, train and recommend the proper selection and application of all fittings we sell. We strongly recommend that distributors and end users make use of Dixon’s Testing and Recommendation Services. Call 877.963.4966 or click dixonvalve.com to learn more.



EZ Boss-Lock Cam & Groove Fittings

Applications

- Water service connections at blast furnaces, electric arc furnaces, caster or roll mills
- Acid and chemical transfer hoses on pickling lines¹

Sizes

- 3/4" - 6"

Features

- Resistant to accidental disconnection while dragging or moving
- No sliding pins to jam
- Locking mechanism is fully engaged by just closing the handles
- Available in custom swaged or phono-finish (PF) shank designs for hard to couple chemical hoses with thermoplastic tubes

Materials

- Couplers and adapters: stainless steel and brass
- Cam arm assemblies: investment cast stainless steel with plated carbon steel pull rings

¹Refer to dixonvalve.com for coupling material and gasket compatibility

Boss-Lock fittings are suitable for liquid and dry material transfer only and are NOT to be used for any compressed gas or steam service. ⚠️



type C coupler x hose shank



type E male adapter x hose shank



type B coupler x male NPT



type D coupler x female NPT



type A adapter x female NPT



type D heavy duty

Swivel Couplings Cam & Groove

Sizes

- 2" - 4"

Features

- Live swivel is capable of 360-degree rotation under pressure
- Nitrile rubber X-ring seal for reduced friction and high stability in dynamic applications
- Couplers include EZ Boss-Lock cam arms

Material

- Gasket: nitrile rubber



type C coupler
coupler x hose shank



type D coupler
coupler x female NPT



type E adapter
adapter x hose shank



type A adapters
adapter x female NPT



King Crimp® Couplers and Adapters



Applications

- When used in conjunction with Dixon® crimp fittings, ferrules create a tight seal for numerous hose applications, including those for various chemicals and temperatures.

Sizes

- 1" - 6"

Features

- When used with King Crimp sleeves and ferrules, creates assembly reliability
- Forged brass or investment cast stainless steel handles meet chemical requirements

Materials

- Aluminum, brass or 316 stainless steel

⚠ Not recommended for compressed gas, air, or steam



King Crimp® Combination Nipples



Applications

- When used in conjunction with the Dixon® crimp system creates a tight seal for numerous hose applications, including hose for various chemicals and temperatures.

Sizes

- 1" - 6"

Features

- Recommended for low-pressure discharge and suction service.
- Working pressure varies with size consult Dixon for recommendations
- Available combinations include: male NPT, beveled and grooved

Materials

- Plated carbon steel or 316 stainless steel



Crimp Sleeves


Application

- When used in conjunction with Dixon crimp fittings, sleeves create a tight seal for numerous hose applications, including those for various chemicals and temperatures.

Sizes

- 1"-6"; custom sizes through 12"

Features

- Wall thickness varies from .062" to .120"
- Sleeve length varies from 2-1/2" to 5-1/2"; custom lengths available
- Working pressures listed below are for 70°F and are for King Crimp cam and groove only, for applications or temperatures other than 70°F contact Dixon at 877.963.4966 for recommendations: 

- 1" - *
- 1-1/2" - **250 PSI**
- 2" - **250 PSI**
- 3" - **125 PSI**
- 4" - **110 PSI**
- 6" - *

*Consult Dixon for pressure rating



Materials

- Stainless steel, carbon steel and aluminum



Crimp Ferrules


Application

- When used in conjunction with the Dixon crimp system creates a tight seal for numerous hose applications, including those for various chemicals and temperatures.

Sizes

- 1"-8"

Features

- Wall thickness varies from .062" to .120"
- Ferrule length varies from 2-13/16" to 5-7/8"
- Working pressures listed below are for 70°F and are for King Crimp cam and groove only, for applications or temperatures other than 70°F contact Dixon at 877.963.4966 for recommendations: 

- 1" - *
- 1-1/2" - **250 PSI**
- 2" - **250 PSI**
- 3" - **150 PSI**
- 4" - **150 PSI**
- 6" - *
- 8" - *

*Consult Dixon for pressure rating



Materials

- Stainless steel and carbon steel



Swivel Joints

Applications

- Used wherever a leak-proof swivel connection is needed in pipelines or in combination with hoses to eliminate hose twisting.
- Industries range from petroleum, petrochemical, refining, mining, distilling, paint, farm irrigation and fertilizing, wastewater treatment plants and food and beverage process equipment. Dixon®'s swivel joints are found in blending plants, drum filling applications, fluid and dry bulk transfer, vacuum trucks, oil and gas trucks and water trucks. Larger swivels can be found in the steel industry, marine bulk transfer and many more.

Features

- Full 360° rotational movement
- Wide spacing between dual ball bearing raceways ensures greater load bearing capacity
- Precision-machined design ensures alignment and years of trouble-free service
- O-ring dust seal protects the ball races and seals chamber from outside elements
- Radius elbow design ensures a smooth flow pattern
- Hydrostatic testing is performed on all swivels before shipment

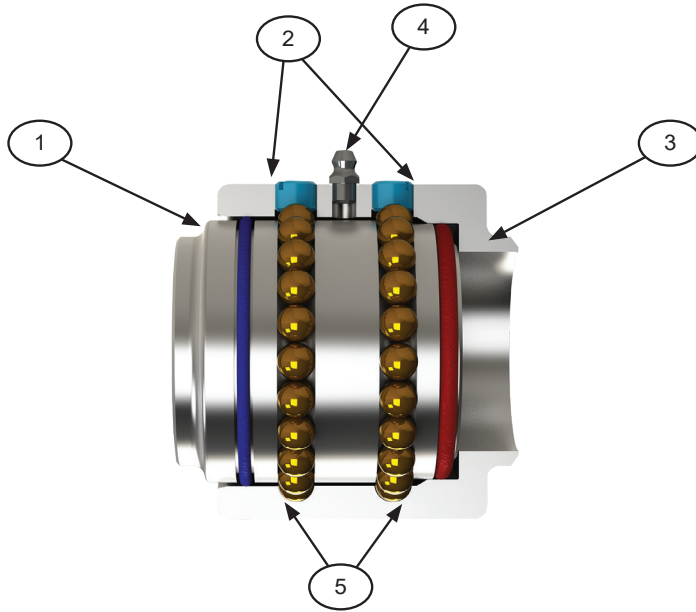
Options Available

- End configurations: female NPT, 150# flanges, TTMA flange, grooved, weld end and many other variations
- Seal options: nitrile rubber, FKM, PTFE, EPDM, FDA nitrile rubber, FFKM
- Ball bearing materials: carbon steel, 440 stainless steel, and 316 stainless steel
- Grease materials: Lithium, FDA approved/food grade, and silicone
- Swivels that include oxygen, steam or submerged service can be specifically designed for unique applications (special order)
- 100% full penetration weld
- Re-build kits available



NOTE: Custom swivel options available, contact Dixon at 877.963.4966

O-Ring Parts Identification List

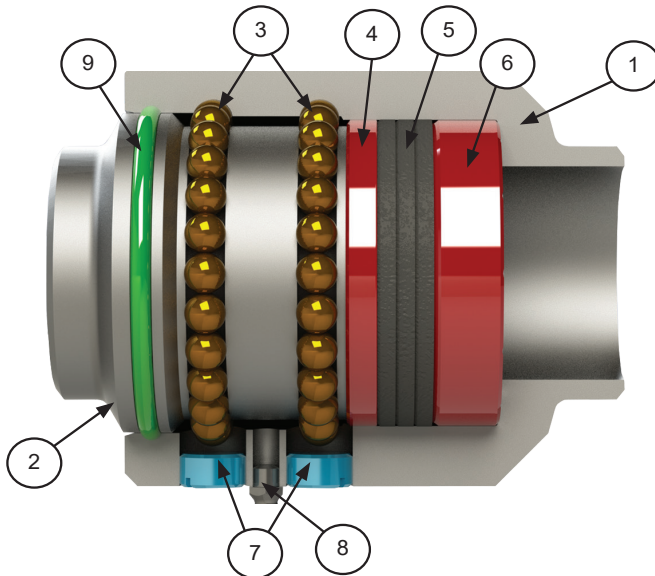


- 1. O-ring (dust) seal
- 2. ball retainer screw
- 3. O-ring (pressure) seal
- 4. grease fitting
- 5. ball bearings

O-Ring Features

- Sizes: 1"-4"
- O-ring pressure seal ensures a leak-proof seal and smooth rotation with lower torque.
- Available working pressure ratings up to **1000 PSI**
- Available in carbon steel, 316L stainless steel, aluminum, brass, and malleable iron

V-Ring Parts Identification List



- 1. body
- 2. sleeve
- 3. ball bearings
- 4. seal retainer
- 5. V-ring (pressure) seal
- 6. spring retainer
- 7. ball retainer screw
- 8. grease fitting
- 9. O-ring (dust) seal

V-Ring Features

- 2"-18" size range
- Spring loaded triple V-ring sealing system ensures a leak-proof seal at either high or low pressure and extends seal life.
- Available working pressure ratings up to **1000 PSI**
- Available in carbon steel, 316L stainless steel and limited aluminum



Dixon® GSM Armored Hose

Applications

- Coke Battery: pusher, quench car; Blast Furnace: tap-hole drill, mud gun; BOF: oxygen and water cooled lance; EAF: shell, roof water, oxygen supply, oxy burner, natural gas, carbon lime, slag door, tilt, roof and electrode lift cylinders, EBT; ladle car, argon stir; Caster: mold, oscillator, segment water, hydraulic, grease, tundish, ladle slide gate; Rolling: reheat furnace, roll stand water, pinch roll cylinder, peel bar, walking beam, coil car and more.

Sizes

- 1/4" - 12" bore

Features

- Extremely flexible armor protects from heat, slag splash and harsh environments in mill applications
- Heat resistant insulation to **1000°F**
- Temperature rating depends on specific applications, consult Dixon
- A variety of end connections are available

Materials

- Armor: galvanized steel or stainless steel
- Inner hoses: hydraulic, stainless steel or PTFE

NOTE: Contact Dixon Specialty Products for custom lengths and fabrications

ball-joint armor protects against extreme heat, molten splash, abrasion and kinking

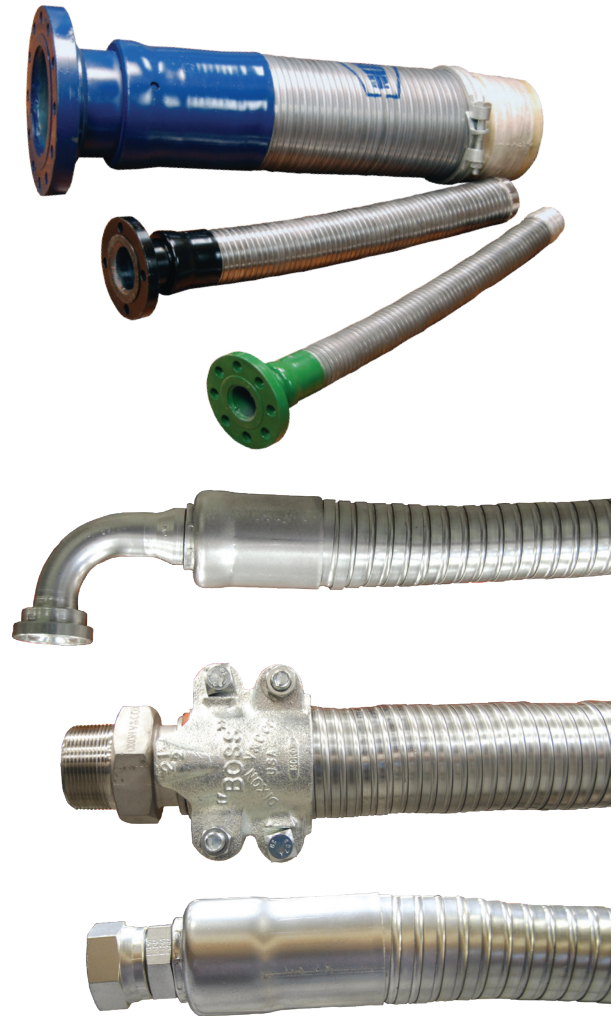


armor enlargement, no interlocking parts to restrict bending



multiple layers of **1000°F** fiberglass insulation are applied for extreme heat resistance

inner hoses, engineered for the application, are specialty industrial rubber, hydraulic, corrugated stainless steel or PTFE



Fire Jacket for Hose



Application

- Used to protect hose assemblies, tubing, piping, wiring and cables from high temperatures or molten splash.

Sizes

- 50' lengths
- Nominal hose I.D. ranges from 1/4" - 4"

Features

- Completely non-asbestos
- Sleeving slides easily over hose and expands to go over fittings
- Resistant to hydraulic fluids and lubricating oil
- Helps maintain line temperatures and reduces environmental overheating and over-cooling
- Color is iron oxide red
- Temperature range: **-65°F to 500°F (-54°C to 260°C)**

Materials

- Compounded silicone rubber coating over fiberglass






King Safety Whipsocks

Application

- Ideally suited for applications where the media being transferred is under higher working pressures such as air, water, hydraulic, and slurry

Features

- King safety whipsocks keep the hose under control in the event of a high-pressure hose assembly failure
- Dual anchor points secured beyond the fittings eliminate hose whip
- Be sure the anchoring points are rated for the application
- Galvanized steel woven stockings extend down the hose to grip securely over a larger area preventing whip, abrasion, and wear
- Securing both eye-to-rigid or eye-to-eye anchor points reduce whip in the event of a hose connection failure
- Contact Dixon® with questions regarding working pressure, available options, or custom configurations 

Materials

- Wire rope: galvanized carbon steel
- Ferrules: aluminum



KSW32




KSW40

King Cable®

Application

- When hose, couplings, or clamps fail, or there is an accidental separation of the assembly, King safety cables minimize damage to equipment and injuries to operators.

Features

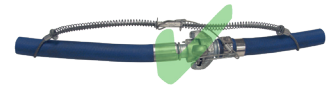
- Must be installed in the extended position (no slack) 
- Cable reaches across hose fittings to provide standby safety for hose
- Spring-loaded loops in the cable ends open easily to pass over the couplings for a firm grip on the hose
- No tools needed - easy to install and remove
- Cables shipped with safety restraint labels attached
- Highly resistant to rust and corrosion
- Hose-to-hose or hose-to-rigid outlet

Materials

- For WB1, WB3, WA2, WA4, WSR1, WSR3, WSR2, WSR4, WSR1C, WB1C, WSR1E:
wire rope - galvanized carbon steel
ferrules - aluminum
springs - galvanized carbon steel
- For WB1SS, WB3SS, WA2SS, WA4SS, WSR1SS, WSR2SS, WSR3SS, WSR4SS:
wire rope - 304 stainless steel
ferrules - copper
springs - 304 stainless steel
- For WA2B:
wire rope - galvanized carbon steel
ferrules - copper
springs - galvanized carbon steel

Specification

- Maximum operating pressure: **200 PSI**



correct installation

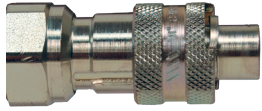


incorrect installation

Dix-Lock® / N-Series



Dix-Lock N-Series Quick Acting Couplings



male x female NPT



female x hose shank



male x male NPT



female x female NPT

Application

- For in-plant use on air, water, and nitrogen systems up to **300 PSI** as well as pneumatic impact tools.

Sizes

- 3/8", 1/2", 3/4" and 1" end connections

Features

- Interchanges with Bowes 51 000, National Series B and Macdonald Quick Action
- Dual-guide sleeve tabs ensure smooth action
- Convenient Push-Twist and Click connection
- Operating temperature range is **-40°F to 250°F**
- Rated to **500 PSI** steel and stainless steel, **300 PSI** brass at ambient temperature (**70°F**)

Materials

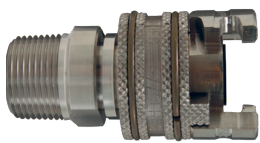
- Trivalent chrome plated steel, brass or 303 stainless steel

NOTE: Dix-Lock couplings with ferrules are also available, visit dixonvalve.com for details.

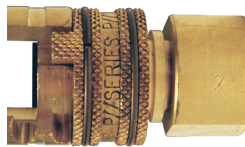


Dual-Lock / P-Series

Dual-Lock P-Series Quick Acting Couplings



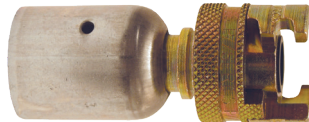
locking sleeve x male pipe thread



locking sleeve x female pipe thread



locking sleeve x hose barb



nipple x female thread

Application

- For in-plant use on air, water, and nitrogen systems up to **300 PSI** as well as pneumatic impact tools

Sizes

- 3/8", 1/2", 3/4", and 1" end connections

Features

- Interchanges with National Series A type and Thor PHC series couplings
- Spring loaded interlocking engagement
- Full flow couplings
- PM and PF series must be used with mating locking sleeve fittings
- Operating temperature range is **-40°F to 250°F**
- **300 PSI** working pressure at ambient temperature (**70°F**)

Materials

- Trivalent chrome plated steel, brass and 303 stainless steel

Dual-Lock couplings with ferrules are also available, visit dixonvalve.com for details.

Hydraulic Quick Disconnects

Applications

- H-Series (ISO B): general hydraulic transfer, in-plant industrial hydraulic, construction and hand tools, and other mobile equipment, steel mills.
- K-Series (ISO A): mobile and in-plant hydraulic systems.
- V-Series: oil rigs, construction, military, general fluid transfer, in-plant industrial hydraulic.
- HT-Series: oil field equipment, industrial hydraulic equipment, mobile equipment, construction equipment, hydraulic power units, and hydraulic tools
- HTE-Series: hydraulic applications where connecting against residual pressure is required.

Sizes

- V-series - 1/4" to 2"; H-series - 1/8" to 2-1/2"; K-series - 1/4" to 2"; HT-Series - 1/4" to 2" HTE-Series - 3/8" to 1"

Features

H-Series: interchangeable with Parker-Hannifin 60 series and ISO 7241 Series-B. Features poppet style shut-off valves in both the coupler and the plug

K-Series: features poppet style shut-off valves in both the coupler and the plug. Interchangeable with the Aeroquip 5600, Parker 6600, and ISO 7241 Series A interchange

V-Series: interchanges with Snap-tite H Series

HT-Series: No-spill valve design minimizes air inclusion during connection and fluid loss while disconnecting

HTE-Series: Connect under residual pressure up to **5,000 PSI**

Materials

- Steel, brass, 303 stainless steel or 316 stainless steel
- Seal: standard seal material is nitrile rubber
- Additional materials available upon request



H-Series



K-Series



V-Series



HTE-Series Correct Connect®

HT-Series Correct Connect

Size

- 1/2"

Features

- Secure coupling resists surge flow damage commonly caused by steel mill slide gates
- Easy to install
- Nitrile seals are standard, providing a temperature range of -40F° to 250°F
- Interchangeable with ISO7241 Series B
- Hardened steel nipple provides heavy duty performance and resists brinelling

Materials

- Nitrile seals
- Steel

Slide Gate Couplings



Steam Quick Disconnects



Application

- Specially configured H Series (ISO B) couplings for saturated steam service

Sizes

- 1/4" - 1-1/2"

Features

- 10 to 1 safety ratio
- Large diameter steel steam sleeves, available in sizes up to 1", are hardened to resist deformation and maximize service life
- Steel nipples hardened to resist brinelling

Materials

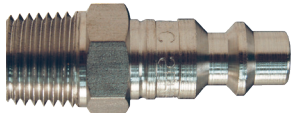
- Steel, brass or 303 stainless steel
- EPDM steam grade seals standard

Do Not Disconnect Under Pressure

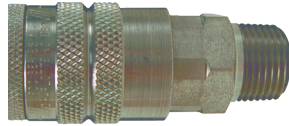




Pneumatic Quick Disconnects



DF Series / Air Chief Industrial Interchange



M Series / Air Chief ARO Speed

Application

- Used to quickly connect and disconnect air hose and pneumatic tools in compressed air services.

Sizes

- 1/4" and 3/4"

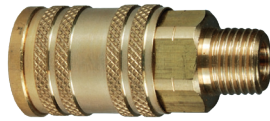
Features

- Interchanges with MIL-C-4109F/A-A-59439
- Temperature range: **-40°F to 250°F**
- Rated to **300 PSI**
- Couplers shut-off when disconnected

⚠ For pneumatic service only

Materials

- Steel, brass or 303 stainless steel



Application

- Used to quickly connect and disconnect air hose and pneumatic tools in compressed air services.

Sizes

- 1/4" and 3/8"

Features

- Interchanges with the ARO 210 and 310 designs
- Temperature range: **-40°F to 250°F**
- Rated **300 PSI** at ambient temperature (**70°F**)
- Couplers shut-off when disconnected

⚠ For pneumatic service only

Materials

- Steel or brass



150# ASA Forged Flanges



lap-joint



NPT threaded



slip-on



lap-joint



NPT threaded



slip-on

Application

- Used in conjunction with pipe and welding fittings conveying water for cooling as well as oxygen and gas injection.

Sizes

- 1" - 12"

Features

- Lap-joint models have no raised face; commonly called a Van Stone or floating flange
- Slip-on and NPT threaded models have a raised face
- Bolt holes may vary with size

Materials

- Carbon steel and 316 stainless steel



Hydrant Adapters

Application

- Used in the suction and discharge of water during various segments of the steel making process.

Sizes

- 3/4" - 6"

Features

- Some models available in pin and rocker lug
- Pin lugs allow for an easy connection using a standard spanner and hydrant wrench

Materials

- Brass, polycarbonate and hardcoat aluminum



cam & groove adapter



reducer with pin lugs



adapter with rocker lugs



reducer with rocker lugs



Boss® Couplings

Application

- Used with Boss Coupling System to create a secure interlocking connection ideal for elevated pressure applications such as air and steam.

Sizes

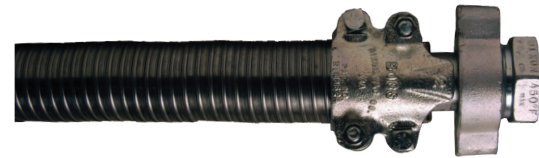
- 1/4" - 6"

Features

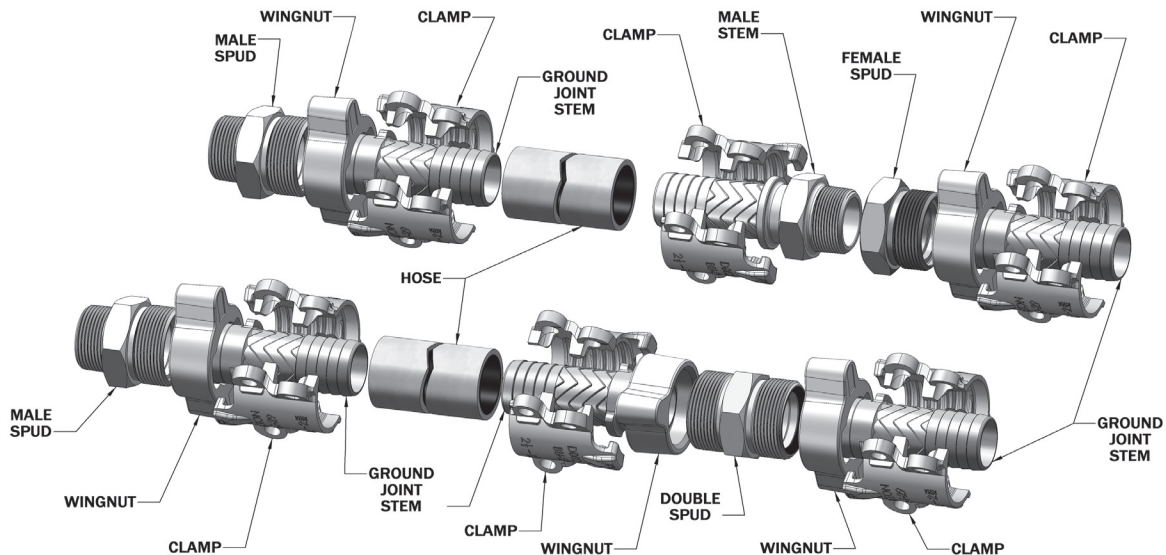
- Mechanical seal
- Can be applied to many types of rubber, synthetic, plastic, metallic or semi-metallic hose
- Two halves are connected or disconnected by rotating the wing nut onto a spud

Materials

- Stem: 1/4" - 1" plated steel, 1-1/4" - 4" plated iron, 6" tubular steel
- Spud: 1/4" - 1" plated steel, 1 1/4" - 6" plated iron
- Wing nut: 1/4" - 1" plated steel, 1-1/4" - 6" plated iron
- Ground joint seal: copper or polymer seats
- Washer seal: Klingersil® C-4401



Boss complete assembly



Worn-out hose couplings can be dangerous. They should be checked regularly and replaced when necessary. Each coupling user should review applications and add safety devices where indicated. ⚠️



2 gripping fingers, 4 bolt configuration

Boss® Clamps

Application

- Used with Boss Coupling System to create a secure interlocking connection ideal for elevated pressure applications such as air and steam.

Sizes

- 1/4" to 6"

Features

- Available in 4 bolt and 2 bolt (smaller sizes)
- Available in 2 gripping fingers and 4 gripping fingers

Materials

- Plated iron, stainless steel, or brass

⚠ The bolts used in the Boss interlocking clamps are not standard bolts. These bolts can be re torqued, but it is not recommended that the bolts or clamps be reused, as they are designed for a single bend only.

Torque values for clamps are based on dry bolts. The use of lubricant on bolts will adversely effect clamp performance, except with stainless steel bolts. Do not lubricate nuts and bolts.

When installing stainless steel bolts and nuts, the use of anti-seize or anti-galling lubricant is advised. A light coat is required on the bolt threads to prevent thread galling and artificial torque reading.



T-bolt



Wormgear



Aero-Seal®



Pre-formed

Band Clamps

NOTE: Visit dixonvalve.com for more information



Sprinkler System Gauge



Flutterguard™ Dry Gauge



ABS Standard Dry Gauge



Liquid-Filled Stainless Steel Gauge



General Purpose Digital Gauge

Gauges

NOTE: Visit dixonvalve.com for more information



Pneumatically Actuated Wafer Butterfly Valves

Rack and Pinion Actuator

Sizes

- 2" to 6"

Features

- Bi-directional stops for $\pm 5^\circ$ travel adjustment
- Namur mounting
- Visual position indication
- Tested to 1 million cycles
- For spring return actuators must note fail position

Materials

- Body: hard anodized aluminum
- Anti-blowout pinion: nickel plated
- O-rings: Nitrile rubber

Specifications

- **80 PSI** plant air required
- Maximum operating pressure: **120 PSI**
- Temperature range:
-40°F to 200°F (-40°C to 93°C)



Wafer

Features

- Installs between standard ANSI Class 150# flanges
- Seat backing ring ensures blow-out proof service
- A wide variety of seat, disc, and body materials are available
- No taper pins
- Can be serviced in the field

Materials

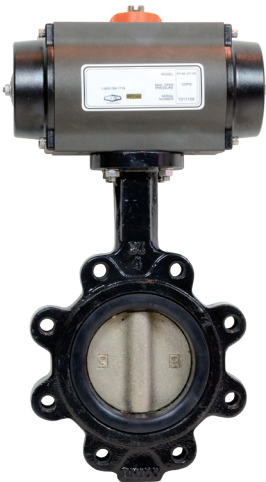
- Body with extended neck: ductile iron
- Disc: nickel plated ductile iron
- Replaceable seat: EPDM

Specifications

- Maximum operating pressure: **200 PSI** (bi-directional)
- Temperature range:
-20°F to 250°F (-29°C to 121°C)

Approvals

- Conforms to MSS-SP-67, MSS-SP-25, API-609



Lug

Features

- Installs between standard ANSI Class 150# flanges
- Seat backing ring ensures blow-out proof service
- A wide variety of seat, disc, and body materials are available
- No taper pins
- Can be serviced in the field

Materials

- Body with extended neck: ductile iron
- Disc: nickel plated ductile iron
- Replaceable seat: EPDM

Specifications

- Maximum operating pressure: **200 PSI** (bi-directional)
- Temperature range:
-20°F to 250°F (-29°C to 121°C)

Approvals

- Conforms to MSS-SP-67, MSS-SP-25, API-609

A wide variety of options are available: spring return (normally closed) and double acting actuators, switches, solenoids, positioners, etc. Contact Dixon® Sanitary at 800.789.1718.



Series 1 FRLs

E73-Series Compact Combination Units

Features

- 4 oz. reservoir
- Supplied with a G230 gauge
- Connected modularly
- Includes (2) clamps and wall mounting brackets # 4314-52, (2) clamps # 4314-51, and (2) NPT pipe adapters #4315-01.

Specifications

- **5-150 PSI** range
- Inlet pressure:
 - transparent bowl: **150 PSI** and **125°F (52°C)**
 - metal bowl: **250 PSI** and **175°F (79°C)**



metal bowls

E74-Series Standard Combination Units

Features

- 7 oz. reservoir
- Models supplied with a GC230 gauge
- Connected modularly
- Includes (2) clamps and wall mounting brackets # 4314-52, (2) clamps # 4314-51, and (2) NPT pipe adapters

Specifications

- Inlet pressure:
 - transparent bowl: **150 PSI** and **125°F (52°C)**
 - metal bowl: **250 PSI** and **175°F (79°C)**
- Pressure range: **5-150 PSI**



transparent bowl with guard

P8A Jumbo Combination Units

Features

- 1 qt. reservoir

Specifications

- Pressure range: **5-125 PSI**
- Inlet pressure: **250 PSI**
- Maximum temperature: **175°F (79°C)**



with metal bowls

NOTE: SCFM ratings given at 90 PSIG inlet pressure.
FRLs are designed for air service only, unless otherwise indicated.





Ball Valves

Domestic Full Port Brass Ball Valves

Application

- For control of air, water, oil, and gas in pipe lines.

Sizes

- 1/4" - 4"

Features

- Blow-out proof stem design
- Rated to **600 PSI WOG; 150 PSI** saturated steam
- Vacuum service to 29 inches Hg
- Full port design

Materials

- Ball: machined solid chrome-plated
- Castings: bronze
- Seats and seals: multi-fill PTFE



250 Lb. Steam Ball Valves

Application

- For control of air, water, oil, gas, and steam in pipe lines.

Sizes

- 1/2" - 2"

Features

- Blow-out proof stem design
- Rated to 600 PSIG; **250 PSI** saturated steam
- Vacuum service to 29 inches Hg
- Maximum temperature rating: **406°F**
- Standard port design

Materials

- Threaded valve: bronze
- Ball and stem: 316 stainless steel
- Stem packing: high-temperature MTFE
- Seats and box ring: multi-filled RPTFE



Also Available



Fire Equipment



Washdown



Maintenance and Repair



PTFE



Shank and Water



Pipe Fittings

Visit dixonvalve.com for more information.

Limited Warranty

DIXON VALVE AND COUPLING COMPANY, LLC (herein called "Dixon") warrants the products described herein and manufactured by Dixon to be free from defects in material and workmanship for a period of one (1) year from date of shipment by Dixon under normal use and service. Its sole obligation under this warranty being limited to repairing or replacing, as hereinafter provided, at its option any product found to Dixon's satisfaction to be defective upon examination by it, provided that such product shall be returned for inspection to Dixon's factory within three (3) months after discovery of the defect. The repair or replacement of defective products will be made without charge for parts or labor. This warranty shall not apply to: (a) parts or products not manufactured by Dixon, the warranty of such items being limited to the actual warranty extended to Dixon by its supplier; (b) any product that has been subject to abuse, negligence, accident, or misapplication; (c) any product altered or repaired by others than Dixon; and (d) to normal maintenance services and the replacement of service items (such as washers, gaskets, and lubricants) made in connection with such services. To the extent permitted by law, this limited warranty shall extend only to the buyer and any other person reasonably expected to use or consume the goods who is injured in person by any breach of the warranty. No action may be brought against Dixon for an alleged breach of warranty unless such action is instituted within one (1) year from the date the cause of action accrues. This limited warranty shall be construed and enforced to the fullest extent allowable by applicable law.

Other than the obligation of Dixon set forth herein, Dixon disclaims all warranties, express or implied, including but not limited to any implied warranties of merchantability or fitness for a particular purpose, and any other obligation or liability. The foregoing constitutes Dixon's sole obligation with respect to damages, whether direct, incidental, or consequential, resulting from the use or performance of the product.

Some products and sizes may be discontinued when stock is depleted or may require a minimum quantity for ordering.

About This Catalog and Our Products

This catalog is intended as a product offering. It is not intended to be a user or technical manual. Information in this catalog is subject to change without notice. All users and distributors of products sold through this catalog should contact Dixon with questions of use, compatibilities, coupling procedures, and life of product. Our full-time engineering and test staff are always available to recommend uses and to assist distributors and users with any questions.



Safety



Safety logos, which appear throughout our catalog, are used as a reminder that the user should carefully review for the appropriateness of the product for the media, application, and environment in which it will be used.

NOTE: Because of the health hazards associated with contamination and lead content in drinking water systems, Dixon couplings, unless otherwise specifically approved, are not recommended for potable water service and should not be used in applications where drinking water will contact the wetted surfaces of the coupling.

All Dixon products are shipped in cartons with the following warning:

"WARNING: This product contains lead, a chemical known to the State of California to cause cancer and birth defects or other reproductive harm."

Trademark

Kamvalok® is a registered trademark of OPW Engineered Systems.
Delrin® and Zytel® are registered trademarks of DuPont Nemours and Company.
Kalrez® is a registered trademark of DuPont Dow Elastomers.

All other trademarks appearing in the Dixon illustrated price list are the property of their respective owners.

Copyright

Copyright © 2023 by Dixon Valve and Coupling Company, LLC

All rights reserved. This book is copyrighted material. Use, reproduction or copying of it by anyone other than Dixon® is strictly forbidden without its express written consent.

NOTE: Reasonable care has been taken in preparing this catalog. Dixon Valve & Coupling Company, LLC reserves the right to make corrections.

