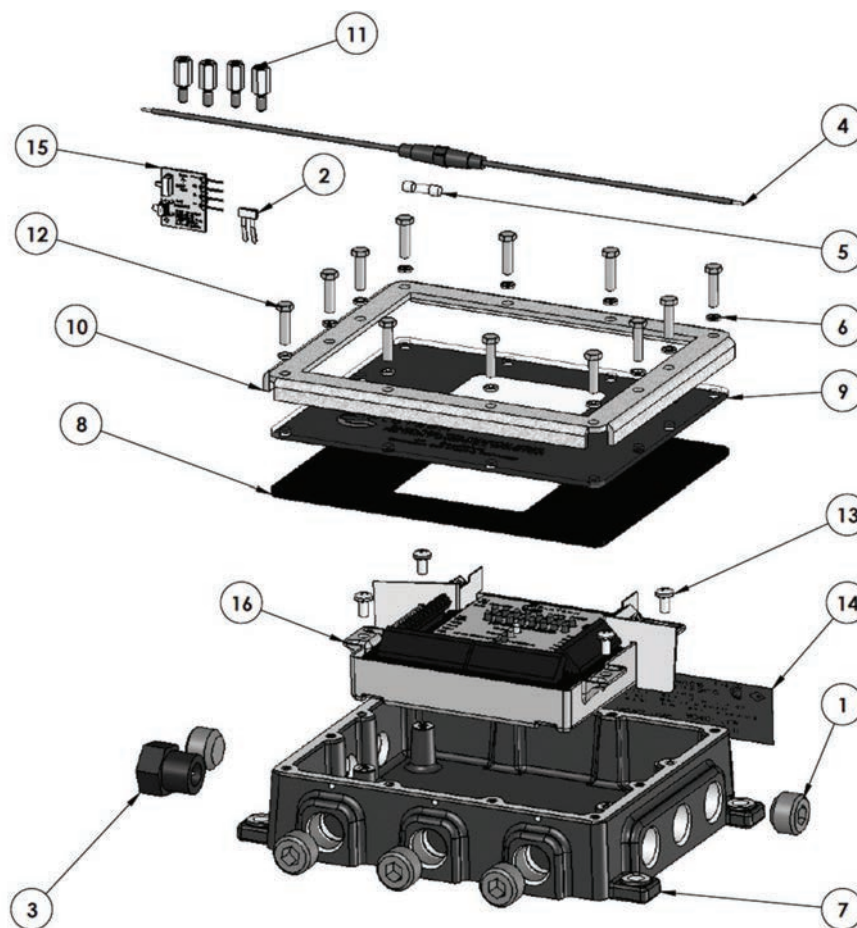


FT207/FT208 Series Checkmate Black & White 2 Wire, Programmable Onboard Monitor



Bill of Materials

Item #	Description	Part #	FT207	FT208
1	polypropylene pipe plug	10103	n/a	5
2	jumper - cross connector	10196	1	1
3	reset switch assembly	10200A	n/a	1
4	plastic fuse holder	10356	1	1
5	brass/glass fuse - 1/2 amp	10358 (was FT9039)	1	5
6	stainless steel lock washer	10375SS	12	12
7	aluminum box	10430AL	n/a	1
8	neoprene gasket	10432NP (was FT9045)	1	1
9	acrylic bezel	10433PL	1	1
10	aluminum frame	10434AL	1	1
11	aluminum standoff (Only used in older units)	10435AL	n/a	4
12	stainless steel screw	10436SS	12	12
13	stainless steel screw - stems	10437SS	4	4
14	chrome mylar label	10438A	n/a	1
15	programming board assembly	10459 (was FT9035)	1	1
16	potted OBM	10465	1	1

Repair Kits

Part #	Description	Includes Item #
FT9031	replacement fuse holder with 1/2 amp fuse	11, 12
FT9036	replacement lid, bezel, screws & lockwashers	6, 8, 9, 10, 12
FT9040	replacement Checkmate housing with lid	1, 6-13

Product instruction sheets and technical data can be viewed on our website at dixongroupcanada.com by selecting the 'Resources' menu.